

Nodolini

SPRINKLERS

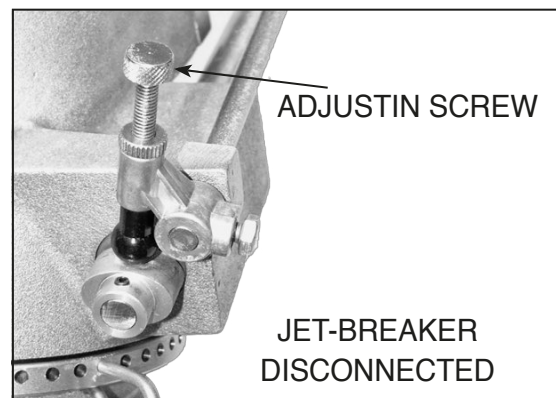
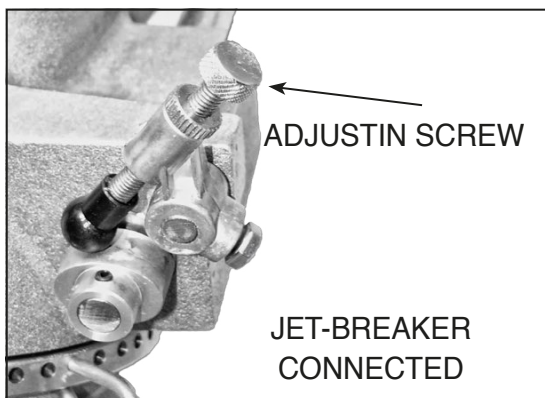
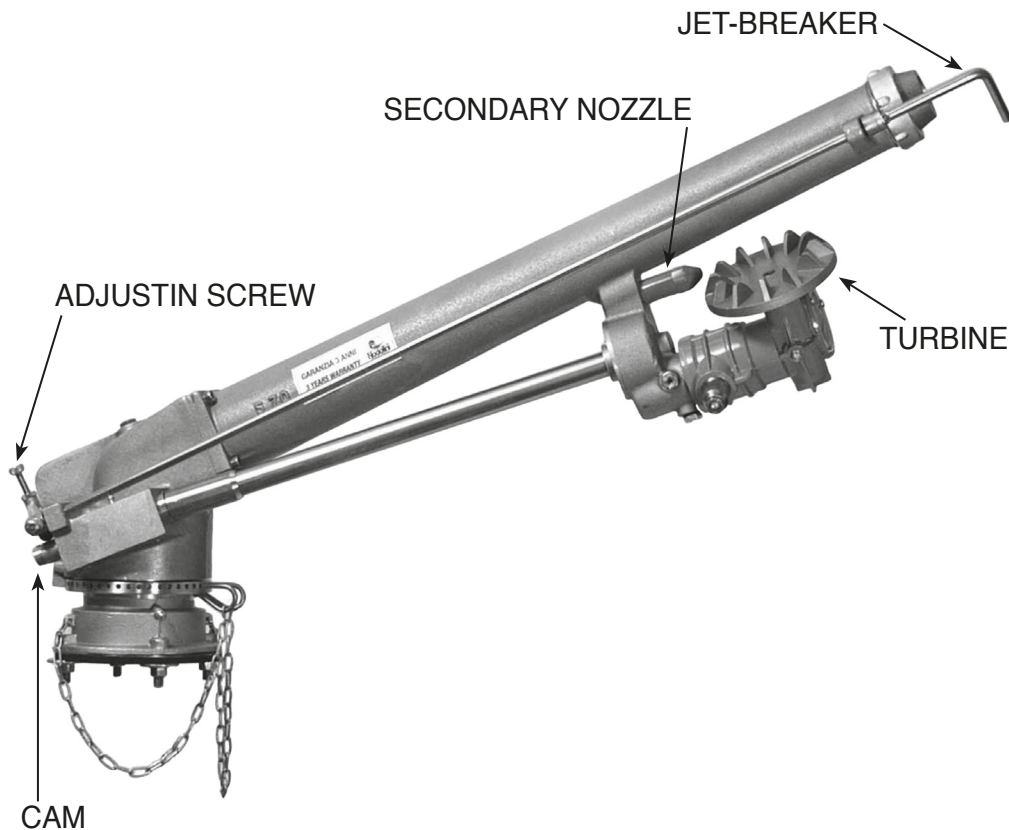


IIDC
Irridelco

**IMPORTADOR Y DISTRIBUDOR
PARA MÉXICO
ASPERSORES GIGANTES**



Nodolini Sprinklers is proud to present its complete range of products, fruit of continuous research developed through over 60 years of activity. This has allowed us to combine the solidity of our irrigator with high performance and extraordinary lightness. We are certain of a product which will effectively satisfy the modern needs.



VANTAGGI DELL'IRRIGATORE A TURBINA

- Tutte le parti meccaniche sono interne e protette.
- Il tubo di lancio conico garantisce maggiori prestazioni.
- Privo di freno, causa di problemi nel tempo, lavora perfettamente anche su terreni in forte pendenza ed anche con alte pressioni (15 Atm – 220 psi)
- Funziona con un angolo minimo di 4 gradi.
- Il rompigitto dinamico ad interferenza regolabile, assicura una corretta uniformità di pioggia in tutte le situazioni, anche con basse pressioni dove gli altri irrigatori normalmente hanno abbondanza di acqua negli ultimi metri della gittata e poca nei primi.

ADVANTAGES OF THE TURBINE SPRINKLER

- All mechanical parts are internal and protected.
- The conical barrel provides greater performance.
- Without brake, which causes problems over the time, it works perfectly even on steep slopes and at high pressures (15 Atm - 220 psi)
- It works with a minimum angle of 4 degrees.
- The dynamic jet-breaker with adjustable interference, ensures a correct rain uniformity in all situations, even at low pressures where the other sprinklers normally have plenty of water over the ~~last~~ meters of the throw and little in the first ones.

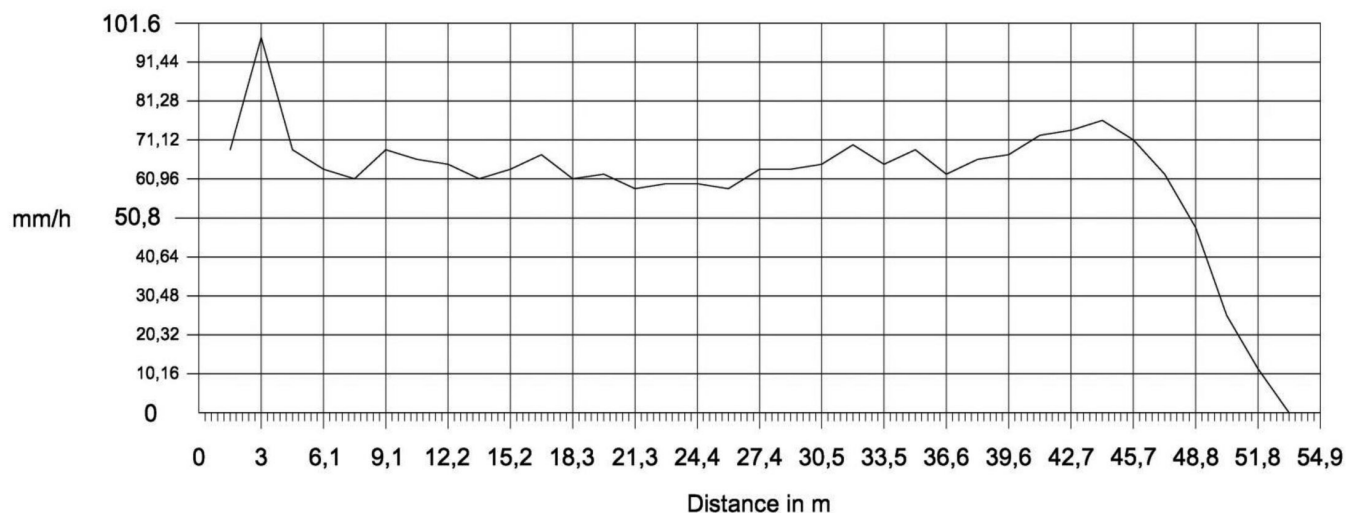
Qui sotto il nostro modello S60 E / S60 con un bocchaglio diametro 24 mm e con una pressione di 6 Atm (88,2 psi) sull'irrigatore. In questa situazione abbiamo ottimizzato l'uniformita' di bagnatura con un'interferenza del rompigetto di 3,5 mm.

Below is our model S60 E / S60 with a 24-mm-diameter nozzle and a sprinkler pressure of 6 Atm (88.2 psi). In this situation we have optimized the watering uniformity with a jet-breaker interference of 3.5 mm.

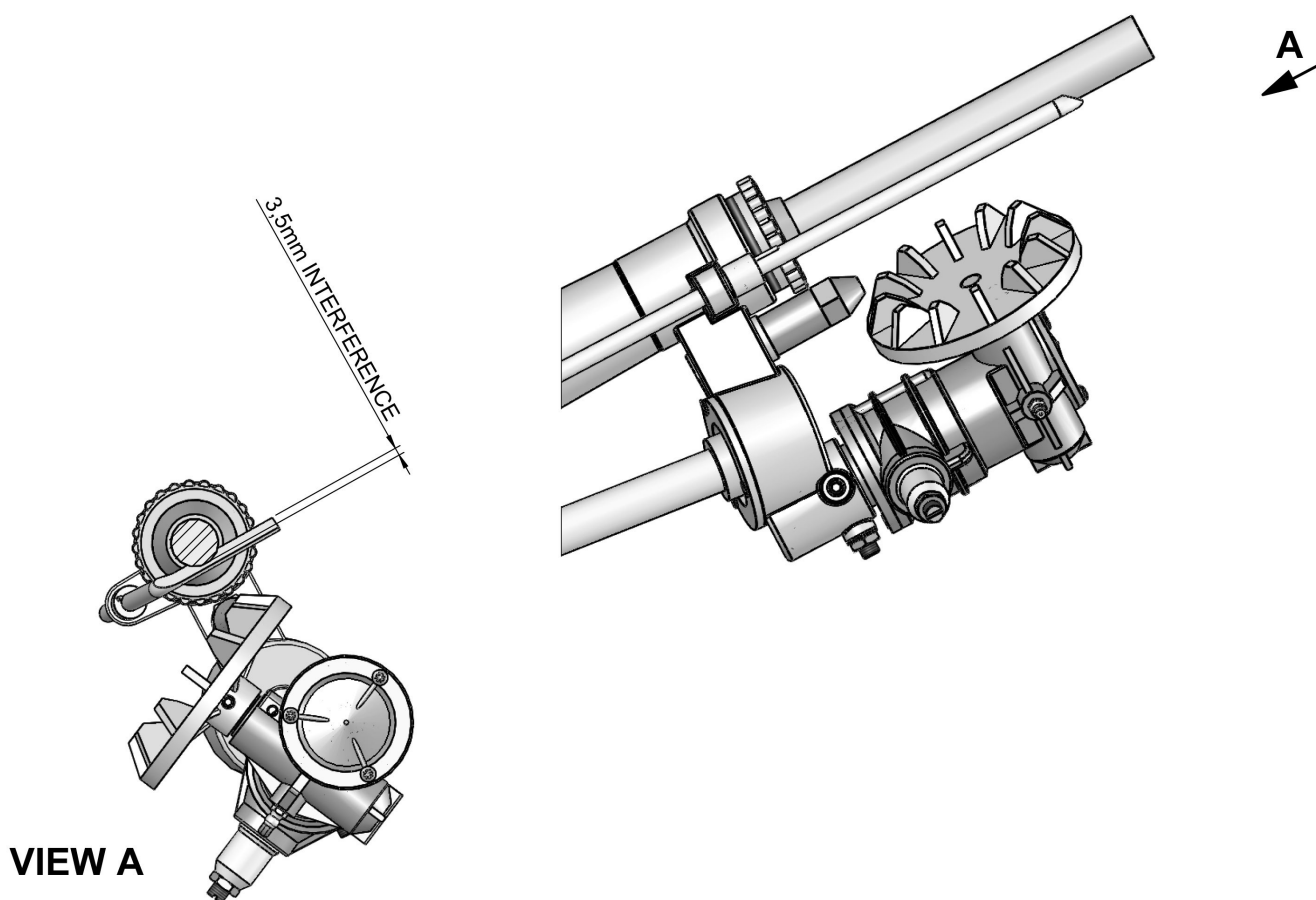
Water distribution diagram with S.I. (International System) measurement units drawn up at the Center for Irrigation Technology (C.I.T. Fresno)

| | | | | |
|-------------------|---------------------------|-------------------------|--------------|----------|
| Sprinkler Name | Nodolini | | | |
| Sprinkler Model | S60 | | | |
| Date/Time of Test | 12/17/2013 10:55 | | | |
| Nozzle Size | 24 mm | 0,945 in | | |
| Flow Rate | 0.01495 m ³ /s | 53,83 m ³ /h | 897.14 l/min | 237 gpm |
| Base Pressure | 0,608 MPa | 6,08 bar | 6 atm | 88,2 psi |
| Riser Height | 0,61 m | 24 in | | |
| Set Screw Setting | 3,5 mm | 0,138 in | | |
| Degree of Arc | 0,698 rad | 40° | | |

Sprinkler Radius of Throw per ASAE Standard S398.1: 52,1 m



| | | | |
|--------------|--------------|--------------|--------------|
| 1,5 = 68,58 | 15,2 = 63,50 | 29 = 63,50 | 42,7 = 73,66 |
| 3 = 97,79 | 16,8 = 67,31 | 30,5 = 64,77 | 44,2 = 76,20 |
| 4,6 = 68,58 | 18,3 = 60,96 | 32 = 69,85 | 45,7 = 71,12 |
| 6,1 = 63,50 | 19,8 = 62,23 | 33,5 = 64,77 | 47,2 = 62,23 |
| 7,6 = 60,96 | 21,3 = 58,42 | 35 = 68,58 | 48,8 = 48,26 |
| 9,1 = 68,58 | 22,9 = 59,69 | 36,6 = 62,23 | 50,3 = 25,40 |
| 10,7 = 66,04 | 24,4 = 59,69 | 38,1 = 66,04 | 51,8 = 11,43 |
| 12,2 = 64,77 | 25,9 = 58,42 | 39,6 = 67,31 | |
| 13,7 = 60,96 | 27,4 = 63,50 | 41,1 = 72,39 | |



Christiansen Uniformity Coefficient (C_u)

$$C_u = 100 \cdot \left(1 - \frac{\sum_{i=1}^n |h_i - h_m|}{n \cdot h_m} \right)$$

$$C_u = 100 \cdot \left(1 - \frac{225,64}{34 \cdot 62,98} \right) = 88\%$$

| Christiansen Uniformity Value (C_u) | |
|---|----------------|
| > 87% | = excellent |
| > 83% | = very good |
| > 79% | = good |
| > 75% | = satisfactory |
| > 70% | = poor |

Distribution Uniformity Coefficient (D_u)

$$D_u = 100 \cdot \left(\frac{h_{lq}}{h_m} \right)$$

$$D_u = 100 \cdot \left(\frac{53,53}{62,98} \right) = 85\%$$

| Distribution Uniformity Value (D_u) | |
|---|----------------|
| > 85% | = excellent |
| > 80% | = very good |
| > 75% | = good |
| > 70% | = satisfactory |
| > 65% | = poor |

S45

MEDIUM THROW

Female thread connection

1" 1/2 NPT



- Turbine sprinkler
- Conical pipe: high performances
- Perfect functioning on steep terrain
- No vibrations
- No break
- Intermittent jet-breaker adjustable for better uniformity of the rain
- Suitable for irrigation of delicate crops
- The sprinkler can operate with an angle of just 4°

| Nozzle Ø mm | Pressure atm. | Discharge l/min | Length of jet m |
|----------------|------------------|--------------------|--------------------|
| 10 | 1,5 - 2,0 - 2,5 | 80 - 93 - 104 | 18 - 22 - 24 |
| 12 | 2,0 - 3,0 - 4,0 | 134 - 164 - 190 | 24 - 29 - 31 |
| 14 | 2,0 - 3,0 - 4,0 | 183 - 224 - 258 | 26 - 32 - 34 |
| 16 | 3,0 - 4,0 - 5,0 | 292 - 337 - 377 | 33 - 37 - 39 |
| 18 | 3,0 - 4,0 - 5,0 | 370 - 427 - 477 | 34 - 37 - 42 |
| 20 | 3,0 - 4,0 - 5,0 | 456 - 527 - 590 | 36 - 41 - 46 |
| 22 | 4,0 - 5,0 - 6,0 | 638 - 713 - 780 | 42 - 47 - 49 |
| 24 | 4,0 - 5,0 - 6,0 | 730 - 817 - 895 | 43 - 48 - 52 |

The technical characteristics are indicative and not binding

S45 - 2"

MEDIUM THROW

Female thread connection

2" NPT



- Turbine sprinkler
- Conical pipe: high performances
- Perfect functioning on steep terrain
- No vibrations
- No break
- Intermittent jet-breaker adjustable for better uniformity of the rain
- Suitable for irrigation of delicate crops
- The sprinkler can operate with an angle of just 4°

| Nozzle ø mm | Pressure Atm. | Flow l/min | Radius of throw m |
|----------------|------------------|-----------------|----------------------|
| 18 | 3,0 - 4,0 - 5,0 | 370 - 427 - 477 | 35 - 38 - 43 |
| 20 | 3,0 - 4,0 - 5,0 | 456 - 527 - 590 | 36 - 42 - 46 |
| 22 | 4,0 - 5,0 - 6,0 | 638 - 713 - 780 | 43 - 48 - 50 |
| 24 | 4,0 - 5,0 - 6,0 | 730 - 817 - 895 | 43 - 49 - 53 |

The technical characteristics are indicative and not binding

S45 PLUS

MEDIUM THROW

Flange Connection ANSI 2"

Diameter inlet of the water 61,5 mm

Standard Nozzles diameters 20, 22, 24 mm



Its sizes and features have been designed to obtain the highest efficiency even with installations of medium – low power.

- Turbine sprinkler
- Conical pipe: high performances
- Perfect functioning on steep terrain
- No vibrations
- No break
- Intermittent jet-breaker adjustable for better uniformity of the rain
- Suitable for irrigation of delicate crops
- The sprinkler can operate with an angle of just 4°

| Nozzle ø mm | Pressure Atm. | Flow l/min | Radius of throw m |
|----------------|------------------|-----------------|----------------------|
| 18 | 3,0 - 4,0 - 5,0 | 370 - 427 - 477 | 35 - 39 - 43 |
| 20 | 3,0 - 4,0 - 5,0 | 456 - 527 - 590 | 36 - 43 - 47 |
| 22 | 4,0 - 5,0 - 6,0 | 638 - 713 - 780 | 44 - 48 - 50 |
| 24 | 4,0 - 5,0 - 6,0 | 730 - 817 - 895 | 44 - 50 - 54 |

The technical characteristics are indicative and not binding



S60 E FULL CIRCLE

S60 E PART CIRCLE

LONG THROW

2" NPT

Nodolini Flange Connection

Euroflange Connection



- Turbine sprinkler
- Conical pipe: high performances
- Perfect functioning on steep terrain
- No vibrations
- No break
- Intermittent jet-breaker adjustable for better uniformity of the rain
- Suitable for irrigation of delicate crops
- The sprinkler can operate with an angle of just 4°

| Nozzle ø mm | Pressure Atm. | Flow l/min | Radius of throw m |
|----------------|------------------|--------------------|----------------------|
| 16 | 3,0 - 3,5 - 4,0 | 281 - 304 - 324 | 33 - 35 - 38 |
| 18 | 3,5 - 4,0 - 4,5 | 384 - 411 - 436 | 37 - 40 - 42 |
| 20 | 4,0 - 4,5 - 5,0 | 506 - 537 - 566 | 41 - 43 - 45 |
| 22 | 4,0 - 4,5 - 5,0 | 612 - 649 - 684 | 43 - 45 - 47 |
| 24 | 4,0 - 4,5 - 5,0 | 729 - 774 - 816 | 45 - 47 - 49 |
| 26 | 4,5 - 5,0 - 5,5 | 908 - 957 - 1004 | 47 - 49 - 51 |
| 28 | 4,5 - 5,0 - 5,5 | 1053 - 1110 - 1164 | 50 - 52 - 54 |
| 30 | 5,0 - 5,5 - 6,0 | 1273 - 1335 - 1394 | 53 - 55 - 57 |

All technical data are indicative and not binding. They refer to a sprinkler placed at max. 2 mt. height, without wind and with good weather conditions.

S60

LONG THROW

2" NPT

Nodolini Flange Connection

Euroflange Connection



- Turbine sprinkler
- Conical pipe: high performances
- Perfect functioning on steep terrain
- No vibrations
- No break
- Intermittent jet-breaker adjustable for better uniformity of the rain
- Suitable for irrigation of delicate crops
- The sprinkler can operate with an angle of just 4°

| Nozzle Ø mm | Pressure atm. | Discharge l/min | Length of jet m |
|----------------|------------------|--------------------|--------------------|
| 20 | 4,0 - 4,5 - 5,0 | 506 - 537 - 566 | 41 - 43 - 45 |
| 22 | 4,0 - 4,5 - 5,0 | 612 - 649 - 684 | 43 - 45 - 47 |
| 24 | 4,0 - 4,5 - 5,0 | 729 - 774 - 816 | 45 - 47 - 49 |
| 26 | 4,5 - 5,0 - 5,5 | 980 - 957 - 1004 | 47 - 49 - 51 |
| 28 | 4,5 - 5,0 - 5,5 | 1053 - 1110 - 1164 | 50 - 52 - 54 |
| 30 | 5,0 - 5,5 - 6,0 | 1273 - 1335 - 1394 | 53 - 55 - 57 |

The technical characteristics are indicative and not binding

S70

LONG THROW

Nodolini Flange Connection

Euroflange Connection



Long range turbine sprinkler designed to obtain maximum output with medium power systems.

- Turbine sprinkler
- Conical pipe: high performances
- Perfect functioning on steep terrain
- No vibrations
- No break
- Intermittent jet-breaker adjustable for better uniformity of the rain
- Suitable for irrigation of delicate crops
- The sprinkler can operate with an angle of just 4°

| Nozzle Ø mm | Pressure atm. | Discharge l/min | Length of jet m |
|----------------|------------------|--------------------|--------------------|
| 24 | 4,0 - 5,0 - 6,0 | 729 - 815 - 893 | 45 - 52 - 55 |
| 26 | 4,0 - 5,0 - 6,0 | 856 - 957 - 1048 | 47 - 53 - 57 |
| 28 | 4,0 - 5,0 - 6,0 | 992 - 1109 - 1215 | 49 - 54 - 59 |
| 30 | 5,0 - 6,0 - 7,0 | 1272 - 1393 - 1505 | 55 - 61 - 63 |
| 32 | 5,0 - 6,0 - 7,0 | 1449 - 1587 - 1714 | 57 - 63 - 66 |
| 34 | 6,0 - 7,0 - 8,0 | 1792 - 1935 - 2069 | 64 - 67 - 69 |
| 36 | 6,0 - 7,0 - 8,0 | 2009 - 2170 - 2320 | 65 - 69 - 71 |
| 38 | 7,0 - 8,0 - 9,0 | 2418 - 2585 - 2742 | 71 - 73 - 75 |

The technical characteristics are indicative and not binding

S70 SUPER

LONG THROW
Big Euroflange Connection



Long range turbine sprinkler designed to obtain maximum output with medium power systems.

- Turbine sprinkler
- Conical pipe: high performances
- Perfect functioning on steep terrain
- No vibrations
- No break
- Intermittent jet-breaker adjustable for better uniformity of the rain
- Suitable for irrigation of delicate crops
- The sprinkler can operate with an angle of just 4°

| Nozzle Ø mm | Pressure atm | Discharge l/min | Length of jet m |
|----------------|-----------------|--------------------|--------------------|
| 24 | 4,0 - 5,0 - 6,0 | 729 - 815 - 893 | 45 - 53 - 56 |
| 26 | 4,0 - 5,0 - 6,0 | 856 - 957 - 1048 | 48 - 54 - 58 |
| 28 | 4,0 - 5,0 - 6,0 | 992 - 1109 - 1215 | 50 - 55 - 60 |
| 30 | 5,0 - 6,0 - 7,0 | 1272 - 1393 - 1505 | 56 - 62 - 64 |
| 32 | 5,0 - 6,0 - 7,0 | 1449 - 1587 - 1714 | 57 - 65 - 67 |
| 34 | 6,0 - 7,0 - 8,0 | 1792 - 1935 - 2069 | 65 - 69 - 70 |
| 36 | 6,0 - 7,0 - 8,0 | 2009 - 2170 - 2320 | 66 - 71 - 72 |
| 38 | 7,0 - 8,0 - 9,0 | 2418 - 2585 - 2742 | 72 - 74 - 76 |

The technical characteristics are indicative and not binding

S80 SUPER

VERY LONG THROW

Nodolini Flange Connection

Euroflange Connection



- Turbine sprinkler
- Conical pipe: high performances
- Perfect functioning on steep terrain
- No vibrations
- No break
- Intermittent jet-breaker adjustable for better uniformity of the rain
- Suitable for irrigation of delicate crops
- The sprinkler can operate with an angle of just 4°

| Nozzle Ø mm | Pressure atm. | Discharge l/min | Length of jet m |
|----------------|-------------------|--------------------|--------------------|
| 30 | 5,0 - 5,5 - 6,0 | 1273 - 1335 - 1394 | 56 - 60 - 62 |
| 32 | 6,0 - 6,5 - 7,0 | 1587 - 1652 - 1714 | 61 - 65 - 68 |
| 34 | 6,0 - 6,5 - 7,0 | 1792 - 1865 - 1935 | 63 - 66 - 70 |
| 36 | 7,0 - 8,0 - 9,0 | 2169 - 2319 - 2460 | 71 - 74 - 80 |
| 38 | 7,0 - 8,0 - 9,0 | 2418 - 2585 - 2742 | 73 - 78 - 83 |
| 40 | 8,0 - 9,0 - 10,0 | 2864 - 3038 - 3203 | 81 - 86 - 90 |
| 42 | 8,0 - 9,0 - 10,0 | 3120 - 3310 - 3490 | 83 - 89 - 93 |
| 44 | 9,0 - 10,0 - 11,0 | 3630 - 3830 - 4050 | 92 - 95 - 99 |

The technical characteristics are indicative and not binding



IRRIDELCO MEXICO S.A. de C.V.

Oficina Mátriz

Carr. Santa Rosa-Plan de Ayala Km. 2.5
Col. Plan de Ayala,
León, Guanajuato, México,
C.P. 37666
Tel:+52(477)470-9788;
Fax:+52(477)470-9789.

Horarios: Lunes a Viernes 08:30 a.m. a 07:00 p.m.

Sabados 08:30 a.m. a 02:00 p.m.;

E-mails: info@irridelco.mx, dondiego@irridelco.mx, ventas.leon@irridelco.mx

Sucursal Aguascalientes

Carret. A San José de Gracia Km 1, Local A.
El Milagro, C.P. 20668
Pabellón de Arteaga, Ags.
Tel/Fax:01-465-965-9457

Horarios: Lunes a Viernes 08:30 a.m. a 07:00 p.m.

Sabados 08:30 a.m. a 02:00 p.m.;

Email:ventas.ags@irridelco.mx

Sucursal Zacatecas

Av. 20 de Noviembre No.1108 (Frente A La Unidad Deportiva)
Fracc. Valle Real, C.P.98800
Loreto, Zac.
TEL: 01-496-851-7925

Horarios: Lunes a Viernes 08:30 a.m. a 07:00 p.m.

Sabados 08:30 a.m. a 02:00 p.m.;

Email:ventas.loreto@irridelco.mx



Via C. Iotti, 55 - 42045 Luzzara (RE) - Italy
Tel. +39 0522 977491 - Fax +39 0522 977491
info@nodolini.com - www.nodolini.com